

Dual HDMI to HD Component Converter

Operation Manual



Introduction

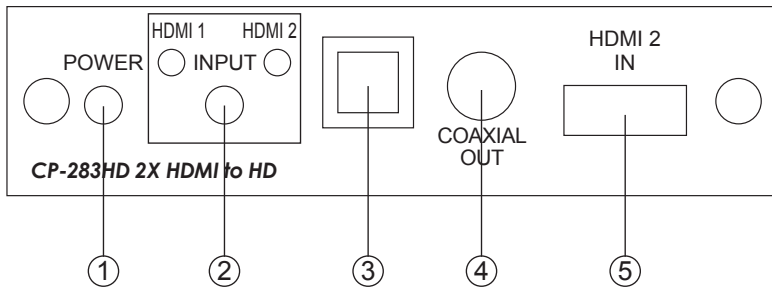
Cypress CP-283HD is an HDMI to component (YCbCr/YPbPr) converter with audio output. It allows you to switch between 2 HDMI sources and convert it to component and analog audio (L/R) or digital audio (Co-axial) output at the same time. It supports high definition up to 1080p, and output resolution follows input.

Features

1. Compliant with HDMI 1.2, HDCP 1.1 and DVI 1.0 specifications.
2. Supports a wide range of resolutions: 480i/480p/576i/576p/720p/1080i/1080p@50/60Hz.
3. Supports digital audio output through Co-axial cable, or analog audio output through L/R audio cable.
4. IR remote control.
5. HDCP compliant - when input is HDCP encrypted (protected) the component out will be turned off.

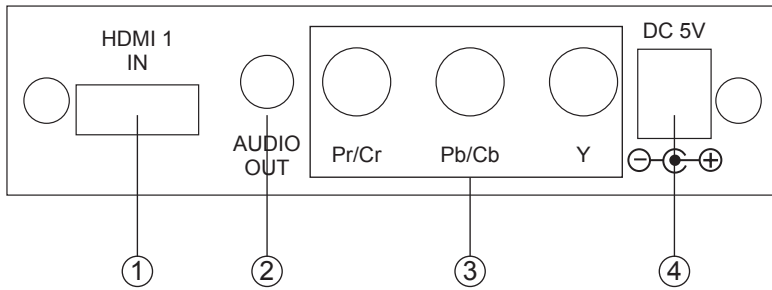
Operation Controls and Functions

Front Panel



1. **POWER:**
Press the "POWER" button to turn on/off power of the unit.
2. **INPUT Select/Indicators:**
Press the "INPUT" button repeatedly to switch to your desired input source and the LED will illuminate to indicate which input source is selected.
3. **Remote control sensor.**
4. **COAXIAL OUT:**
Connect the coaxial audio output port to the input port of your audio equipment such as amplifier using coaxial cable.
5. **HDMI 2 IN:**
Connect the HDMI 2 IN port to the output port of your HDMI source equipment such as DVD Player or Set-top-box.

Rear Panel



1. HDMI 1 IN:

Connect the HDMI 1 IN port to the output port of your HDMI source equipment such as DVD Player or Set-top-box.

2. AUDIO OUT:

Connect the L/R audio output port to the input port of your display or audio equipment such as amplifier using L/R audio 3.5 mm cable.

3. YPbPr/YCbCr Output:

Connect the YPbPr/YCbCr output (3 RCA) ports to the video input ports of your display equipment such as HDTV.

4. Power:

Plug the 5VDC power supply into the unit and connect the adaptor to AC wall outlet.

Remote Control

1. Power:

Press the button to turn on/off the unit.

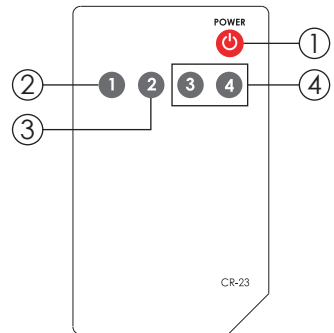
2. HDMI 1 IN input select:

Press the button to select HDMI 1 input source.

3. HDMI 2 IN input select:

Press the button to select HDMI 2 input source.

4. Void buttons (No function.)



Specifications

* Input: 2 x HDMI female ports

* Output:

Video: High definition component YPbPr/YCbCr on 3 RCA connectors

Audio: Digital audio on CO-AX or analog audio on R/L

* Power: 5V DC power supply

* Dimensions: 102(W) x 90(D) x 25(H)mm

* Weight: 220g

Connection and Installation

